

ADJUSTABLE 'WIPER BLADE' PATTERN CONTROLLER

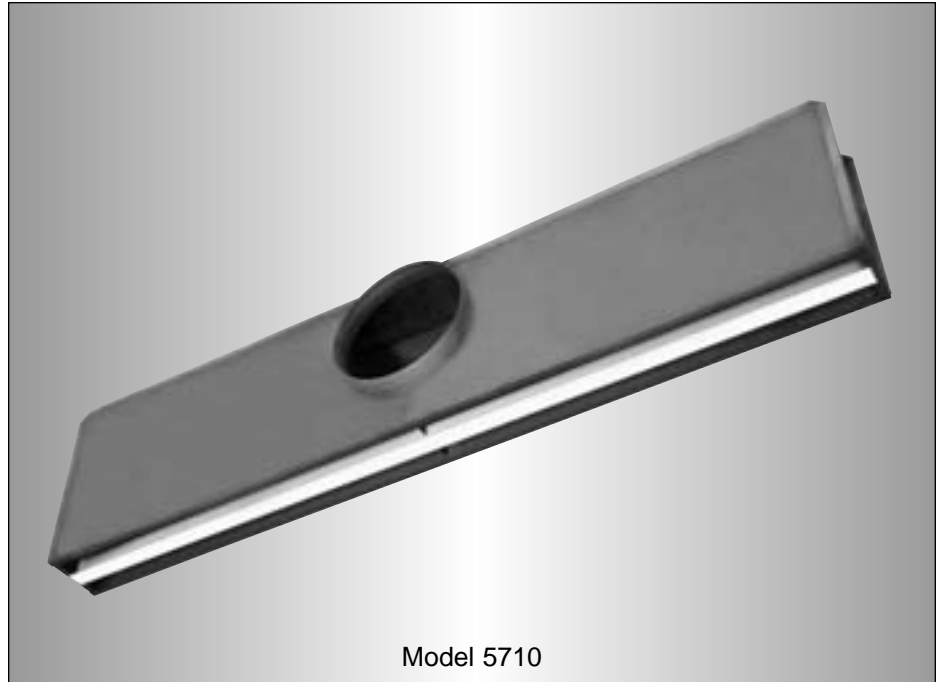
- FOR STANDARD LAY-IN T-BAR
- SUPPLY

Uninsulated Models:

- 5750 1/2" (13) Slot Width
- 5775 3/4" (19) Slot Width
- 5710 1" (25) Slot Width
- 5715 1 1/2" (38) Slot Width

Insulated Models:

- 5750I 1/2" (13) Slot Width
- 5775I 3/4" (19) Slot Width
- 5710I 1" (25) Slot Width
- 5715I 1 1/2" (38) Slot Width



Model 5710

The **5700 Series Plenum Slot Ceiling Diffusers** have been designed for standard Lay-in T-Bar ceiling grid applications. They integrate and blend with the suspended grid, thus offering an extremely unobtrusive method of air distribution. Available in a wide range of sizes and capacities, the **5700 Series** design offers the optimum combination of application flexibility, high performance and low cost.

The **5700 Series** features a friction pivoted adjustable extruded aluminum pattern controller in each slot. A key feature is the gasketed 'wiper blade' design. The direction of airflow is adjustable through a full 180° from the face of the diffuser. In the horizontal discharge setting, either left or right, the gasket seal at the top of the blade seals tightly against the inside of the diffuser plenum casing or factory supplied center T-Bar, assuring positive directional control. The pattern controller may also be set for vertical discharge.

In the horizontal discharge setting, the coanda effect is maximized and a tight blanket of air is projected across the ceiling. The horizontal pattern is maintained throughout a wide range of cataloged air volumes from maximum to minimum flow and the **5700 Series** therefore provides excellent performance in variable air volume applications.

FEATURES:

- Full 180° pattern controller adjustment means there are no 'lefts or rights'.
- Available in 20", 24", 30", 36", 48" and 60" (500, 600, 750, 900, 1200 and 1500 mm) nominal lengths to suit both imperial and metric ceiling systems.
- Choice of four slot widths.
- Choice of 1, 2, 3 or 4 parallel slots.
- Standard unit is 11" (279) in height.

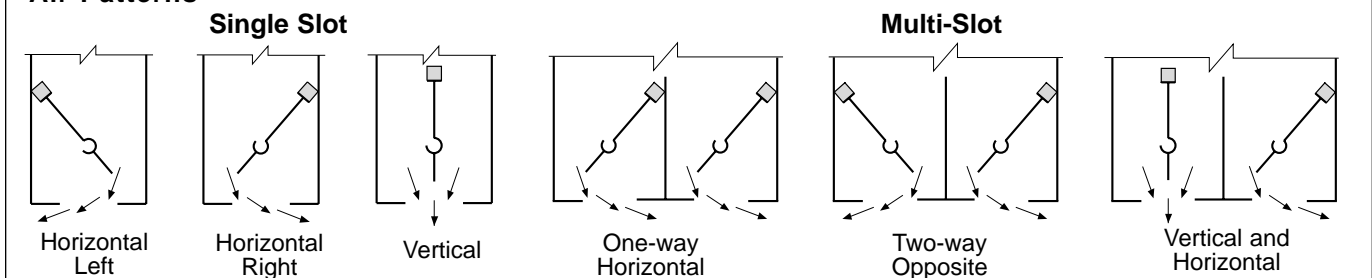
- Factory installed center T-Bars on multi-slot models are standard. They are dropped slightly below the diffuser face to align flush with the ceiling grid.
 - Pattern controller is split mid-way on units 36" (900 mm) and longer. This permits a 2-way opposite blow pattern from a single slot.
- Options:**
- Internal insulation (add suffix 'I' to model number).

- A full range of options and accessories are available, see page C53.

Material: Corrosion-resistant steel plenum, extruded aluminum pattern controllers and center T-Bars.

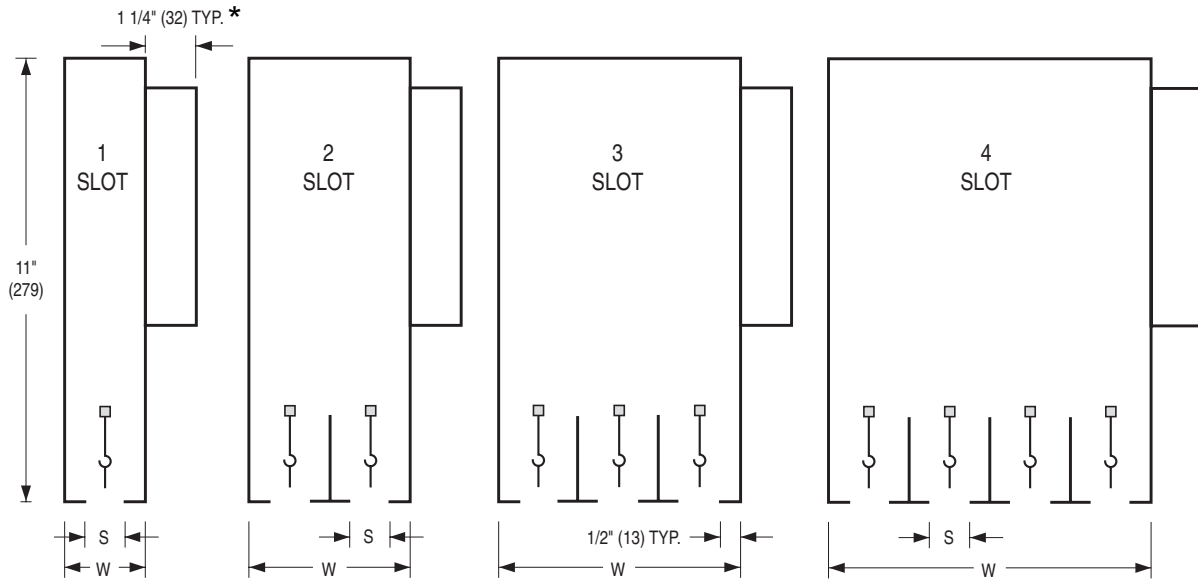
Finish: Black on pattern controllers and exposed surfaces. AW Appliance White baked enamel on center T-Bars.

Air Patterns



Dimensional Data

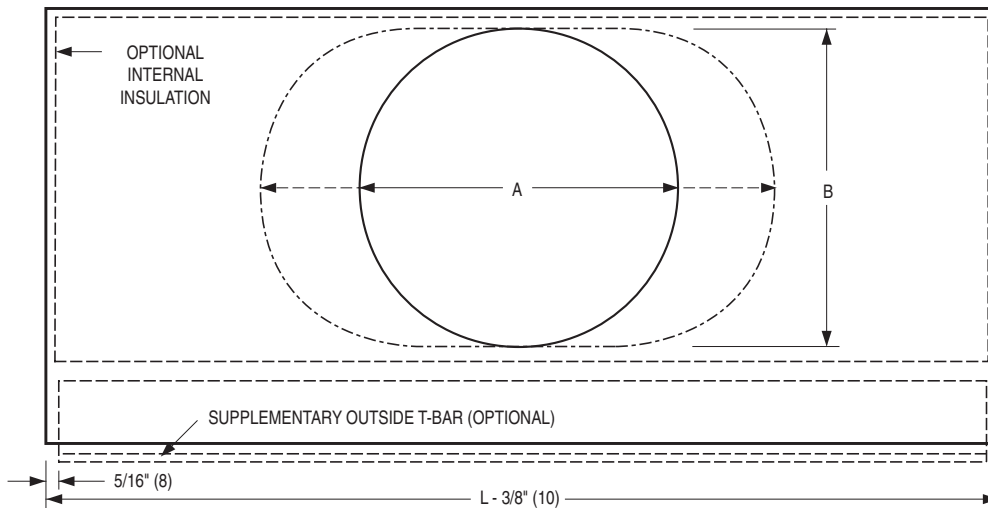
Model Series 5700 • Standard Lay-in T-Bar Models



		S Slot Width			
		1/2 (13)	3/4 (19)	1 (25)	1 1/2 (38)
W Width	1 Slot	1 1/2 (38)	1 3/4 (31)	2 (51)	2 1/2 (64)
	2 Slot	3 (76)	3 1/2 (89)	4 (102)	5 (127)
	3 Slot	4 1/2 (114)	5 1/4 (133)	6 (152)	7 1/2 (191)
	4 Slot	6 (152)	7 (178)	8 (203)	10 (254)

	Nominal Inlet Size			
	6 (152) Round	8 (203) Round	10 (254) Oval	12 (305) Oval
A	5 7/8 (149)	7 7/8 (200)	11 (279)	14 1/8 (378)
B	—	—	7 7/8 (200)	7 7/8 (200)

*4" (102) with optional ID Inlet Damper



Nominal Length L	
Imperial Modules inches (mm)	Metric Modules (mm)
20 (508)	500
24 (610)	600
30 (762)	750
36 (914)	900
48 (1219)	1200
60 (1524)	1500

Dimensions are in inches (mm).



PLENUM SLOT AND LIGHT TROFFER DIFFUSERS

ADJUSTABLE 'WIPER BLADE' PATTERN CONTROLLER

- FOR NARROW REGRESSED T-BAR
- SUPPLY

Straddle Mount Models:

5775(I)-F 3/4" (19) Slot Width

5710(I)-F 1" (25) Slot Width

5715(I)-F 1 1/2" (38) Slot Width

Flat Face T-Bar Models:

5775(I)-F2 3/4" (19) Slot Width

5710(I)-F2 1" (25) Slot Width

5715(I)-F2 1 1/2" (38) Slot Width

- Suffix 'I' adds internal insulation



Model 5715-F

Model Series **5700-F** and **5700-F2** Plenum Slot Ceiling Diffusers have been specially developed to integrate with and compliment 'Fineline®' type suspended ceiling grids, thus offering an extremely unobtrusive method of air distribution. Available in a wide range of sizes and capacities, the design offers the optimum combination of application flexibility, high performance and low cost.

This series features a friction pivoted adjustable extruded aluminum pattern controller. A key feature is the gasketed 'wiper blade' design. The direction of airflow is adjustable through a full 180° from the face of the diffuser. In the horizontal discharge setting, either left or right, the gasket seal at the top of the blade seals tightly against the inside of the diffuser plenum casing or factory supplied center T-Bar. The pattern controller may also be set for vertical discharge.

The single slot units, for all models, are for installation alongside a main T-Bar runner. The series **5700-F** two slot units incorporate a center hat channel and are designed to straddle, longitudinally, a main T-Bar runner. The series **5700-F2** multi-slot units incorporate factory installed 1" (25) flat face T-Bars.

FEATURES:

- Full 180° pattern controller adjustment means there are no 'lefts or rights'.
- Available in 24" or 48" (600 or 1200) nominal lengths to suit both imperial and metric ceiling systems.
- A cross notch is supplied on 48" (1200) long units which allows the plenum to be installed in a 24" x 24" (600 x 600) ceiling grid.
- Series **5700-F** is available in a one or two slot configuration and Model Series **5700-F2** is available in a one, two, three, or four slot configuration.

- The single slot units are for installation alongside a main runner.
- **5700-F** two slot unit has a center hat channel that is designed to straddle a main T-Bar runner.
- **5700-F2** multi-slot units include 1" (25) flat face T-Bars.

Options:

- Internal insulation (add suffix 'I' to model number).
- A full range of options and accessories are available, see page C53.

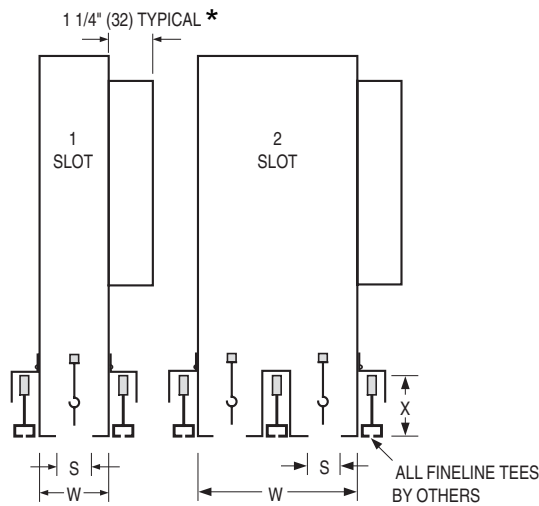
Material: Corrosion-resistant steel plenum, extruded aluminum pattern controllers. The Series **5700-F2** include center T-Bars on multi-slot units that are extruded aluminum.

Finish: Black on pattern controllers and exposed surfaces. AW Appliance White baked enamel on center T-Bars.

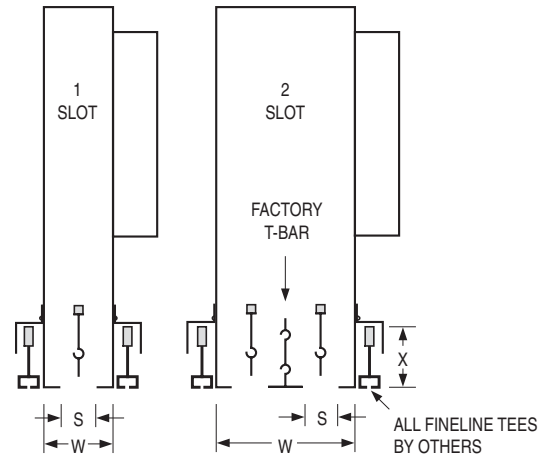


Dimensional Data

Model Series 5700-F and 5700-F2 • Narrow Regressed T-Bar



Model Series 5700-F



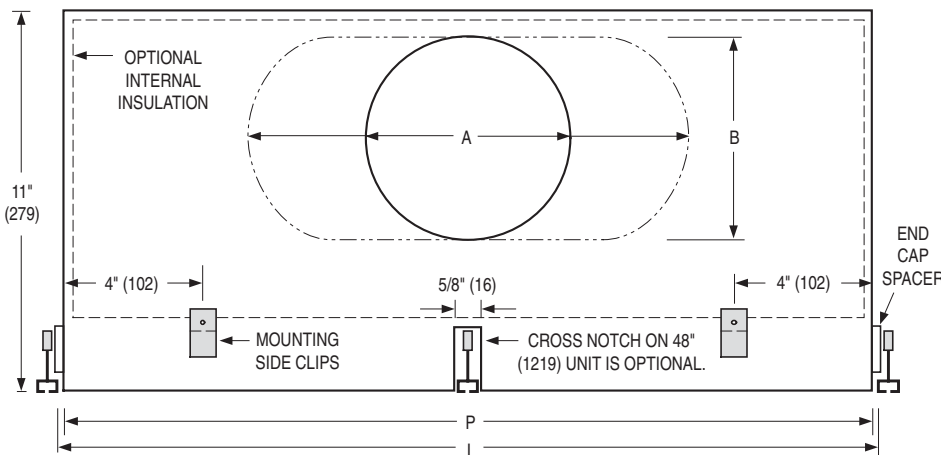
Model Series 5700-F2

S SLOT WIDTH	WIDTH W	
	1 SLOT	2 SLOT
3/4 (19)	1 3/4 (44)	4 1/8 (105)
1 (25)	2 (51)	4 5/8 (117)
1 1/2 (38)	2 1/2 (64)	5 5/8 (143)

S SLOT WIDTH	WIDTH W			
	1 SLOT	2 SLOT	3 SLOT	4 SLOT
3/4 (19)	1 3/4 (44)	3 1/2 (89)	5 1/4 (133)	7 (178)
1 (25)	2 (51)	4 (102)	6 (152)	8 (203)
1 1/2 (38)	2 1/2 (64)	5 (127)	7 1/2 (191)	10 (254)

	NOMINAL INLET SIZE			
	6 ROUND	8 ROUND	10 OVAL	12 OVAL
A	5 7/8 (149)	7 7/8 (200)	11 (279)	14 1/8 (378)
B	-	-	7 7/8 (200)	7 7/8 (200)

* 4" (102) with optional ID Inlet Damper



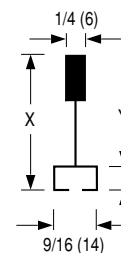
Imperial Ceiling Modules (inches)

NOMINAL LENGTH	OVERALL LENGTH L	PLENUM LENGTH P
24	23 3/4	23 3/8
48	47 3/4	47 3/8

Metric Ceiling Modules (mm)

NOMINAL LENGTH	OVERALL LENGTH L	PLENUM LENGTH P
600	594	584
1200	1194	1184

T-BAR TYPE (MANUFACTURER)	X	Y
A ARMSTRONG SILHOUETTE	1 3/4 (44)	5/16 (8)
C CHICAGO METALLIC ULTRALINE	1 5/8 (41)	5/16 (8)
D DONN FINELINE®	1 25/32 (45)	5/16 (8)



Fineline® is a registered trademark of USG Interiors Inc.

Dimensions are in inches (mm).

HOW TO SPECIFY OR TO ORDER

(Show complete Model Number and Size, unless "Default" is desired).

'Wiper Blade' Supply Air Plenum Slot Diffusers for Lay-in T-Bar – Model Series 5700

5775I - 48 x 2 - 08 - - - -

MODEL SERIES

- 'Wiper Blade' Pattern Controller 57

SLOT WIDTH (mm)

1/2" (13)	50(I)
3/4" (19)	75(I)
1" (25)	10(I)
1 1/2" (38)	15(I)

(Add Suffix 'I' for Internal Insulation)

NOMINAL LENGTH

inches (mm)
- 20 (500)
- 24 (600)
- 30 (750)
- 36 (900)
- 48 (1200)
- 60 (1500)

NO. OF SLOTS

- 1
- 2
- 3
- 4

Note:

1. If more than one accessory is desired, list in order.

ACCESSORIES

- None (default)	—
- Cross Notch	CN
- Plaster Frame	PF
- Supplementary T-Bars	
One (Inlet Side)	T1
One (Opposite Inlet Side)	TO
Two (One Each Side)	T2
- T-Bar Mounting Clips (2)	M1
- T-Bar Mounting Clips (4)	M2
- External Foil Back Insulation	EX
- Straddle T-Bar	ST
(available with 2 slot and 4 slot models only)	

DAMPER

- None (default)	—
- Inlet Damper	ID

INLET SIZE

4" (102)	Round	04
5" (127)	Round	05
6" (152)	Round	06
7" (178)	Round	07
8" (203)	Round	08
10" (254)	Oval	10
12" (305)	Oval	12

PLENUM SLOT AND LIGHT TROFFER DIFFUSERS

SUGGESTED SPECIFICATION:

Standard Lay-in T-Bar

Furnish and install **Nailor Model** (select one) **5750/5750I** (1/2" (13) slot), **5775/5775I** (3/4" (19) slot), **5710/5710I** (1" (25) slot) or **5715/5715I** (1 1/2" (38) slot) **Plenum Slot Supply Diffusers** of the sizes and capacities as shown on the plans and air distribution schedules. The plenum shall be manufactured from corrosion-resistant steel and include an adjustable, extruded aluminum, friction pivoted 'wiper blade' style pattern deflector mounted within each slot. Multi-slot units shall include extruded aluminum center T-Bars. The pattern deflector shall be adjustable in a horizontal or vertical setting. A gasket seal at the top of the blade shall seal tightly against the inside of the diffuser plenum casing or factory supplied center T-Bar when in the horizontal setting. The plenum shall have a side inlet with a neck not less than 1 1/4" (38) deep for connection to the duct. The diffuser shall be supplied in nominal standard lengths of 20", 24", 30", 36", 48" and 60" (500, 600, 750, 900, 1200 and 1500) and have one, two, three or four slots as specified. The pattern controllers and all exposed edges shall have a BK Black finish and the center T-Bars shall have an AW Appliance White baked enamel finish. Models 5750I, 5775I, 5710I or 5715I shall be lined internally with insulation.

The manufacturer shall provide published performance data for the plenum slot diffuser, which shall be tested in accordance with ANSI/ASHRAE Standard 70 – 1991.

HOW TO SPECIFY OR TO ORDER

(Show complete Model Number and Size, unless "Default" is desired).

'Wiper Blade' Supply Air Plenum Slot Diffusers for Narrow Regressed Ceiling Grids – Model Series 5700-F and 5700-F2

		5775I-F - 48 x 2 - 08 - CN - ST - M2 - D - —		
MODEL SERIES	_____			OPTIONAL ACCESSORIES
- 'Wiper Blade' Pattern Controller	57			- None (default) _____
				- Inlet Damper ID
				- External Foil Back Insulation EX
				- Earthquake Tabs EQT
SLOT WIDTH (mm)	_____			SPECIFIED T-BAR
3/4" (19)	75(I)			- 1 3/4" (44) high A
1" (25)	10(I)			- 1 5/8" (41) high C
1 1/2" (38)	15(I)			- 1 25/32" (45) high D
(Add Suffix 'I' for Internal Insulation)				
STYLE	_____			INCLUDED ACCESSORIES
- Straddle Mount (on 2 slot unit) F				- Cross Notch on 48" (1219) unit CN (default)
- Flat Face T-Bars (on multi-slot units) F2				- Straddle T-Bar on -F 2 slot models (default) ST
				- T-Bar Mounting Clips (4) (default) M2
NOMINAL LENGTH	_____			INLET SIZE
inches (mm)				4" (102) Round 04
- 24 (600)				5" (127) Round 05
- 48 (1200)				6" (152) Round 06
				7" (178) Round 07
				8" (203) Round 08
NO. OF SLOTS	_____			10" (254) Oval 10
- 1, 2, 3 or 4				12" (305) Oval 12

Notes:

1. Model 5700-F is only available with 1 or 2 slots.
2. If more than one accessory is desired, list in order.

SUGGESTED SPECIFICATION:

Narrow Regressed T-Bar, Straddle Mount

Furnish and install **Nailor Model** (select one) **5775-F/5775I-F** (3/4" (19) slot), **5710-F/5710I-F** (1" (25) slot) or **5715-F/5715I-F** (1 1/2" (38) slot) **Plenum Slot Supply Diffusers for Narrow Regressed T-Bar** of the sizes and capacities as shown on the plans and air distribution schedules. The diffuser shall fit within a Narrow Regressed T-Bar ceiling system. The plenum shall be manufactured from corrosion-resistant steel and include an adjustable, extruded aluminum, friction pivoted 'wiper blade' style pattern deflector mounted within each slot. The pattern deflector shall be adjustable in a horizontal or vertical setting. A gasket seal at the top of the blade shall seal tightly against the inside of the diffuser plenum casing when in the horizontal setting. The plenum shall have a side inlet with a neck not less than 1 1/4" (38) deep for connection to the duct. The diffuser shall be supplied in nominal standard lengths of 24" or 48" (600 or 1200) and have one or two slots as specified. Two slot models shall straddle the T-Bar lengthwise. The pattern controllers and all exposed edges shall have a BK Black finish. Models 5775I-F, 5710I-F or 5715I-F shall be lined internally with insulation.

The manufacturer shall provide published performance data for the plenum slot diffuser, which shall be tested in accordance with ANSI/ASHRAE Standard 70 – 1991.

Narrow Regressed T-Bar, Flat Face T-Bar(s)

Furnish and install **Nailor Model** (select one) **5775-F2/5775I-F2** (3/4" (19) slot), **5710-F2/5710I-F2** (1" (25) slot) or **5715-F2/5715I-F2** (1 1/2" (38) slot) **Plenum Slot Supply Diffusers for Narrow Regressed T-Bar** of the sizes and capacities as shown on the plans and air distribution schedules. The diffuser shall fit within a Narrow Regressed T-Bar ceiling system. The plenum shall be manufactured from corrosion-resistant steel and include an adjustable, extruded aluminum, friction pivoted 'wiper blade' style pattern deflector mounted within each slot. Multi-slot units shall include extruded aluminum center T-Bars. The pattern deflector shall be adjustable in a horizontal or vertical setting. A gasket seal at the top of the blade shall seal tightly against the inside of the diffuser plenum casing or factory supplied 1" (25) flat face center T-Bar when in the horizontal setting. The plenum shall have a side inlet with a neck not less than 1 1/4" (38) deep for connection to the duct. The diffuser shall be supplied in nominal standard lengths of 24" or 48" (600 or 1200) and have one, two, three or four slots as specified. The pattern controllers and all exposed edges shall have a BK Black finish and the center T-Bars shall have an AW Appliance White baked enamel finish. Models 5775I-F2, 5710I-F2 or 5715I-F2 shall be lined internally with insulation.

The manufacturer shall provide published performance data for the plenum slot diffuser, which shall be tested in accordance with ANSI/ASHRAE Standard 70 – 1991.

PLENUM SLOT AND LIGHT TROFFER DIFFUSERS

Performance Data

Model Series 5700 • 1/2" (13) Slot Width

1 Slot • 24" (610) Long • Models 5750(I)

6" Round Inlet	Airflow, CFM	15	25	35	50	60	65	80
	TP	.015	.028	.043	.063	.110	.170	.290
	NC	13	20	27	35	38	41	44
	T	1-3-6	2-4-9	5-7-11	7-9-13	8-10-15	9-11-16	10-12-18

1 Slot • 48" (1219) Long • Models 5750(I)

8" Round Inlet	Airflow, CFM	30	50	70	100	120	130	160
	TP	.019	.030	.048	.081	.125	.195	.310
	NC	13	20	28	35	38	41	44
	T	3-5-10	5-8-12	7-11-15	11-13-18	12-15-21	13-16-22	14-17-24

2 Slot • 24" (610) Long • Models 5750(I)

6" Round Inlet	Airflow, CFM	30	50	70	100	120	130	160
	TP	.026	.040	.069	.121	.178	.299	.385
	NC	13	21	27	35	38	41	43
	T	1-2-5	5-8-13	7-11-16	11-13-19	12-15-21	13-16-22	14-17-24

2 Slot • 48" (1219) Long • Models 5750(I)

8" Round Inlet	Airflow, CFM	60	100	140	200	240	260	320
	TP	.031	.054	.073	.131	.193	.334	.416
	NC	14	20	27	34	39	41	44
	T	1-2-5	7-11-19	10-16-23	15-19-26	17-21-31	18-22-32	19-23-34

3 Slot • 24" (610) Long • Models 5750(I)

6" Round Inlet	Airflow, CFM	45	75	105	150	180	195	240
	TP	.051	.073	.121	.195	.294	.416	.615
	NC	14	20	26	35	39	40	44
	T	4-6-12	6-10-16	9-13-19	13-16-23	15-18-25	15-18-26	16-20-28

3 Slot • 48" (1219) Long • Models 5750(I)

8" Round Inlet	Airflow, CFM	90	150	210	300	360	390	480
	TP	.055	.091	.135	.205	.310	.425	.630
	NC	15	21	27	35	39	41	46
	T	6-9-19	9-15-25	12-20-28	19-25-35	21-27-38	22-28-40	24-32-45

4 Slot • 24" (610) Long • Models 5750(I)

6" Round Inlet	Airflow, CFM	60	100	140	200	240	260	320
	TP	.060	.095	.145	.220	.320	.550	.875
	NC	15	19	27	36	39	42	46
	T	5-7-13	7-11-19	10-16-23	16-20-28	18-22-30	20-23-32	22-25-35

4 Slot • 48" (1219) Long • Models 5750(I)

8" Round Inlet	Airflow, CFM	120	200	280	400	480	520	640
	TP	.065	.099	.161	.240	.380	.610	.910
	NC	14	20	27	35	39	41	47
	T	7-12-23	11-16-28	15-23-33	22-28-40	25-31-42	26-32-45	29-36-50

CFM - cubic feet per minute

TP - total pressure - inches w.g.

T - throw in feet

NC - Noise Criteria (values) based on 10 dB room absorption, re 10⁻¹² watts.

Performance Notes:

1. Throws are given at 150, 100 and 50 fpm terminal velocities under isothermal conditions.
2. Cataloged throws are for a one-way horizontal air pattern. For divided airflow, deduce the airflow in each direction according to the number of slots, with the total airflow apportioned between the slots. Look up throw for the airflow in each direction according to the number of slots in that direction.

3. Data derived from tests conducted in accordance with ANSI/ASHRAE Standard 70 - 1991.

Number of Slots	Ak Factor per foot	
	Supply	Return
1	.023	.023
2	.043	.043
3	.067	.067
4	.088	.088

Performance Data

Model Series 5700 • 3/4" (19) Slot Width

1 Slot • 24" (610) Long • Models 5775(I), 5775(I)-F, 5775(I)-F2

8" Round Inlet	Airflow, CFM	20	25	35	40	50	65	80
	TP	.017	.026	.052	.068	.106	.179	.272
	NC	—	—	15	19	26	34	40
	T	2-4-9	3-5-10	5-7-12	6-9-13	7-10-14	9-12-17	10-13-19

1 Slot • 48" (1219) Long • Models 5775(I), 5775(I)-F, 5775(I)-F2

10" Oval Inlet	Airflow, CFM	40	55	65	80	105	130	160
	TP	.017	.033	.046	.069	.119	.180	.276
	NC	—	—	12	19	27	36	41
	T	2-5-12	5-8-16	6-10-17	8-12-19	11-16-22	11-16-24	16-19-27

2 Slot • 24" (610) Long • Models 5775(I), 5775(I)-F, 5775(I)-F2

8" Round Inlet	Airflow, CFM	40	55	65	80	105	130	160
	TP	.017	.034	.047	.071	.122	.188	.285
	NC	—	—	12	19	27	34	41
	T	2-5-12	5-8-16	6-10-17	8-12-19	11-16-22	13-17-24	16-19-27

2 Slot • 48" (1219) Long • Models 5775(I), 5775(I)-F, 5775(I)-F2

10" Oval Inlet	Airflow, CFM	70	90	115	145	180	230	295
	TP	.017	.029	.047	.075	.115	.188	.309
	NC	—	—	14	20	27	34	40
	T	3-6-16	4-10-20	7-12-23	10-16-25	13-20-28	17-23-32	21-26-36

3 Slot • 24" (610) Long • Models 5775(I), 5775(I)-F2

8" Round Inlet	Airflow, CFM	65	80	100	125	160	200	255
	TP	.030	.046	.071	.111	.180	.282	.459
	NC	—	—	13	20	27	34	40
	T	4-9-20	7-12-22	10-16-25	12-19-28	17-22-31	20-25-35	23-28-39

3 Slot • 48" (1219) Long • Models 5775(I), 5775(I)-F2

10" Oval Inlet	Airflow, CFM	115	145	185	230	295	370	470
	TP	.032	.051	.082	.127	.209	.329	.532
	NC	—	—	13	20	27	34	40
	T	5-11-25	8-16-30	13-21-34	17-25-38	19-30-42	25-35-47	30-39-53

4 Slot • 24" (610) Long • Models 5775(I), 5775(I)-F2

8" Round Inlet	Airflow, CFM	80	100	125	155	195	250	315
	TP	.035	.054	.084	.130	.206	.338	.537
	NC	—	—	13	20	27	34	40
	T	4-10-21	7-13-25	10-17-28	13-21-31	16-25-34	22-28-39	26-31-44

4 Slot • 48" (1219) Long • Models 5775(I), 5775(I)-F2

10" Oval Inlet	Airflow, CFM	145	180	225	290	360	450	580
	TP	.039	.060	.094	.156	.241	.376	.626
	NC	—	—	13	20	27	34	40
	T	5-11-27	8-17-33	12-21-37	18-27-42	22-33-46	28-37-53	34-42-60

CFM - cubic feet per minute

TP - total pressure - inches w.g.

T - throw in feet

NC - Noise Criteria (values) based on 10 dB room absorption, re 10⁻¹² watts

Performance Notes:

- Throws are given at 150, 100 and 50 fpm terminal velocities under isothermal conditions.
- Cataloged throws are for a one-way horizontal air pattern. For divided airflow, deduce the airflow in each direction according to the number of slots, with the total airflow apportioned between the slots. Look up throw for the airflow in each direction according to the number of slots in that direction.
- Data derived from tests conducted in accordance with ANSI/ASHRAE Standard 70 – 1991.

Number of Slots	Ak Factor per foot	
	Supply	Return
1	.025	.025
2	.049	.047
3	.074	.073
4	.098	.097

Performance Data

Model Series 5700 • 1" (25) Slot Width

1 Slot • 24" (610) Long • Models 5710(I), 5710(I)-F, 5710(I)-F2

8" Round Inlet	Airflow, CFM	30	35	45	55	70	90	110
	TP	.021	.029	.048	.073	.118	.195	.292
	NC	—	—	14	20	27	35	41
	T	3-6-11	3-6-12	6-8-14	7-10-16	9-12-18	11-14-20	12-16-22

1 Slot • 48" (1219) Long • Models 5710(I), 5710(I)-F, 5710(I)-F2

10" Oval Inlet	Airflow, CFM	60	70	90	115	140	170	215
	TP	.022	.032	.050	.082	.124	.180	.289
	NC	—	—	13	21	27	34	40
	T	4-8-17	5-9-18	8-12-20	10-16-23	12-18-25	16-20-27	18-22-31

2 Slot • 24" (610) Long • Models 5710(I), 5710(I)-F, 5710(I)-F2

8" Round Inlet	Airflow, CFM	50	60	80	100	125	155	200
	TP	.018	.026	.047	.072	.112	.174	.288
	NC	—	—	13	21	28	34	40
	T	2-6-13	4-8-17	6-10-19	9-13-21	11-17-24	14-19-26	18-21-30

2 Slot • 48" (1219) Long • Models 5710(I), 5710(I)-F, 5710(I)-F2

10" Oval Inlet	Airflow, CFM	90	110	140	180	230	290	370
	TP	.022	.033	.054	.089	.145	.232	.376
	NC	—	—	13	20	27	34	40
	T	3-6-18	4-10-21	7-13-25	11-18-28	14-22-32	19-25-36	24-29-40

3 Slot • 24" (610) Long • Models 5710(I), 5710(I)-F2

8" Round Inlet	Airflow, CFM	75	100	125	155	195	350	315
	TP	.030	.054	.084	.130	.206	.338	.537
	NC	—	—	13	20	27	34	40
	T	4-8-20	7-13-25	10-17-28	13-21-31	17-25-34	22-28-39	26-31-44

3 Slot • 48" (1219) Long • Models 5710(I), 5710(I)-F2

10" Oval Inlet	Airflow, CFM	145	180	230	290	365	460	580
	TP	.039	.060	.098	.155	.247	.394	.626
	NC	—	—	13	20	27	34	40
	T	5-11-27	8-17-33	12-22-37	18-27-42	23-33-47	28-37-53	34-42-60

4 Slot • 24" (610) Long • Models 5710(I), 5710(I)-F2

8" Round Inlet	Airflow, CFM	95	120	150	190	245	305	385
	TP	.038	.060	.094	.153	.251	.389	.621
	NC	—	—	13	20	27	34	40
	T	4-9-22	6-13-27	10-17-30	14-22-34	19-28-39	23-31-43	28-34-48

4 Slot • 48" (1219) Long • Models 5710(I), 5710(I)-F2

10" Oval Inlet	Airflow, CFM	175	220	280	350	440	560	715
	TP	.045	.070	.113	.177	.280	.455	.741
	NC	—	—	13	20	27	34	40
	T	5-10-28	7-18-35	12-23-41	19-28-46	24-35-52	30-41-59	38-46-66

CFM - cubic feet per minute

TP - total pressure - inches w.g.

T - throw in feet

NC - Noise Criteria (values) based on 10 dB room absorption, re 10⁻¹² watts.

Performance Notes:

1. Throws are given at 150, 100 and 50 fpm terminal velocities under isothermal conditions.
2. Cataloged throws are for a one-way horizontal air pattern. For divided airflow, deduce the airflow in each direction according to the number of slots, with the total airflow apportioned between the slots. Look up throw for the airflow in each direction according to the number of slots in that direction.

3. Data derived from tests conducted in accordance with ANSI/ASHRAE Standard 70 – 1991.

Number of Slots	Ak Factor per foot	
	Supply	Return
1	.029	.030
2	.058	.058
3	.087	.090
4	.116	.120

Performance Data

Model Series 5700 • 1 1/2" (38) Slot Width

1 Slot • 24" (610) Long • Models 5715(I), 5715(I)-F, 5715(I)-F2

8" Round Inlet	Airflow, CFM	50	70	90	110	130	150	170
	TP	.028	.054	.089	.133	.186	.248	.318
	NC	—	16	23	28	32	36	40
	T	4-8-15	6-10-16	10-14-20	11-15-22	12-16-24	14-17-25	16-19-27

1 Slot • 48" (1219) Long • Models 5715(I), 5715(I)-F, 5715(I)-F2

10" Oval Inlet	Airflow, CFM	90	120	150	180	210	240	270
	TP	.029	.051	.079	.114	.155	.203	.257
	NC	—	15	22	27	31	35	39
	T	4-10-18	7-12-22	9-14-23	12-18-26	14-20-29	16-22-32	18-24-34

2 Slot • 24" (610) Long • Models 5715(I), 5715(I)-F, 5715(I)-F2

8" Round Inlet	Airflow, CFM	90	125	160	195	230	265	300
	TP	.042	.081	.132	.197	.273	.363	.465
	NC	13	22	28	33	37	41	45
	T	4-9-17	9-13-23	11-17-25	13-20-28	17-22-32	19-25-34	23-29-38

2 Slot • 48" (1219) Long • Models 5715(I), 5715(I)-F, 5715(I)-F2

12" Oval Inlet	Airflow, CFM	160	220	280	340	400	460	520
	TP	.039	.073	.119	.175	.243	.321	.410
	NC	—	15	23	29	32	36	40
	T	5-10-23	9-16-30	14-21-34	17-26-38	20-28-40	23-30-42	26-32-45

3 Slot • 24" (610) Long • Models 5715(I), 5715(I)-F2

10" Oval Inlet	Airflow, CFM	100	145	190	235	280	325	370
	TP	.024	.051	.088	.135	.192	.258	.335
	NC	—	15	22	28	33	37	40
	T	4-9-21	8-15-28	12-19-32	16-24-36	19-24-39	23-31-43	26-33-46

3 Slot • 48" (1219) Long • Models 5715(I), 5715(I)-F2

12" Oval Inlet	Airflow, CFM	200	275	350	425	500	575	650
	TP	.039	.073	.118	.174	.241	.318	.407
	NC	—	16	22	28	32	36	39
	T	8-15-28	14-21-34	18-23-35	21-27-37	24-29-41	26-31-44	27-33-46

4 Slot • 24" (610) Long • Models 5715(I), 5715(I)-F2

12" Oval Inlet	Airflow, CFM	110	170	230	290	350	410	470
	TP	.015	.035	.065	.103	.150	.206	.271
	NC	—	—	18	21	27	32	36
	T	4-8-20	10-17-32	13-21-33	17-25-37	22-31-44	25-34-48	27-37-52

4 Slot • 48" (1219) Long • Models 5715(I), 5715(I)-F2

12" Oval Inlet	Airflow, CFM	200	300	400	500	600	700	800
	TP	.030	.067	.120	.187	.270	.367	.480
	NC	—	13	21	27	32	36	40
	T	6-13-26	11-20-34	14-22-36	19-28-40	24-31-45	27-34-48	29-36-51

CFM - cubic feet per minute

TP - total pressure - inches w.g.

T - throw in feet

NC - Noise Criteria (values) based on 10 dB room absorption, re 10⁻¹² watts.

Performance Notes:

- Throws are given at 150, 100 and 50 fpm terminal velocities under isothermal conditions.
- Cataloged throws are for a one-way horizontal air pattern. For divided airflow, deduce the airflow in each direction according to the number of slots, with the total airflow apportioned between the slots. Look up throw for the airflow in each direction according to the number of slots in that direction.
- Data derived from tests conducted in accordance with ANSI/ASHRAE Standard 70 – 1991.

Number of Slots	Ak Factor per foot	
	Supply	Return
1	.033	.043
2	.066	.083
3	.099	.129
4	.132	.172