

FT Series

- LAY-IN UNITS FOR T-BAR SUSPENSION CEILING SYSTEMS
- COMPLETE WITH ENGINEERED PLENUM
- CHOICE OF HORIZONTAL OR VERTICAL PATTERN CONTROLLERS

Horizontal High Throw Models:

Standard $1\frac{5}{16}$ " (24) or $\frac{9}{16}$ " (14) Flat T-Bar

FTH(I)10 1" (25) Slot

FTH(I)15 1½" (38) Slot

FTH(I)20 2" (51) Slot

Bolt-Slot (Fineline® Type) T-Bar

FTBH(I)10 1" (25) Slot

FTBH(I)15 1½" (38) Slot

FTBH(I)20 2" (51) Slot

Vertical Jet Throw Models:

Standard $1\frac{5}{16}$ " (24) or $\frac{9}{16}$ " (14) Flat T-Bar

FTV(I)10 1" (25) Slot

FTV(I)15 1½" (38) Slot

FTV(I)20 2" (51) Slot

Bolt-Slot (Fineline® Type) T-Bar

FTBV(I)10 1" (25) Slot

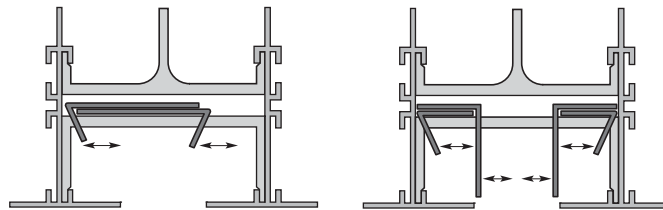
FTBV(I)15 1½" (38) Slot

FTBV(I)20 2" (51) Slot

(I) Adds internal insulation.



Pattern Controller Options



FTH Series
Horizontal High Throw Design

FTV Series
Vertical Jet Throw Design

The FT Series is a modular version of Nailor's FlowLine™ Linear Diffuser System. The FT Series is available in various discrete lengths for installation in lay-in type suspended ceiling grid systems. They are available for both Imperial and Metric ceiling grids. These diffusers are manufactured to fit standard ceiling grid modules and provide quick and easy installation. The units are provided with factory mounted engineered plenums and are normally individually suspended by either integral hanger brackets at each end of the diffuser and/or hanger straps on the plenum. Relocation is easy for office layout and tenant improvement changes.

The high induction characteristics of the FTH Series Horizontal High Throw pattern controller option make it an excellent choice for variable air volume systems. The FTV Series Vertical Jet Throw option is ideally suited to perimeter glass curtain wall applications.

These units are also suitable for return air applications. Return models are available and supplied without plenum (Models FTHR and FTBHR). Supplied with horizontal type dual pattern controllers for system balancing.

STANDARD FEATURES:

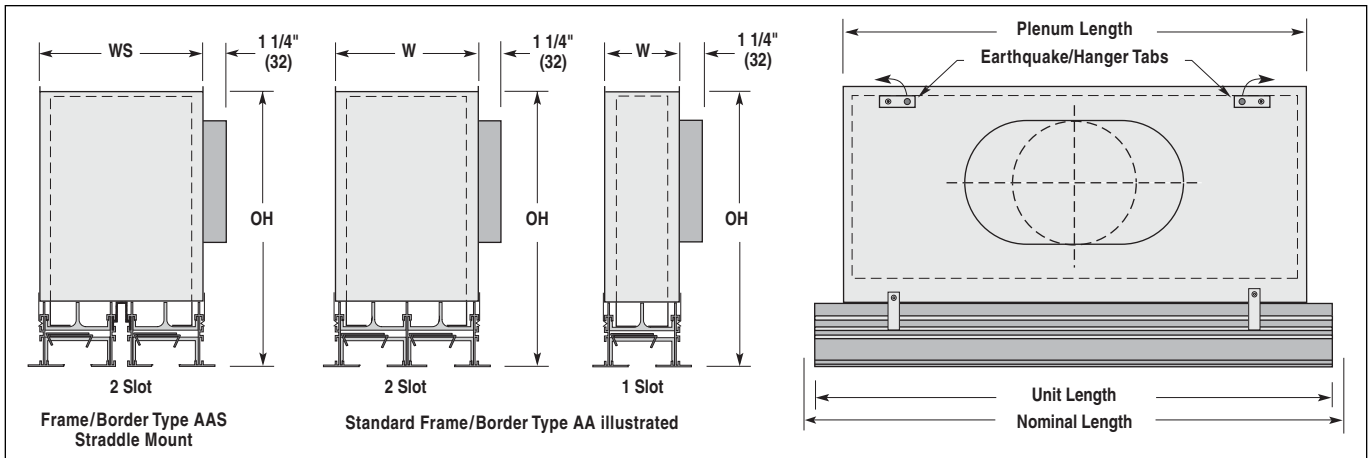
- Available in 24" (610), 48" (1219) and 60" (1524) nominal lengths.
- Available in 600mm, 1200mm and 1500mm nominal lengths for Metric Suspension Ceiling Systems.
- Standard slot widths are 1" (25), 1 1/2" (38) and 2" (51).
- Heavy wall extruded aluminum construction with galvanized steel pattern controllers.
- Horizontal or vertical throw pattern controller options.
- Supply models are complete with an integral engineered plenum. Optional internal insulation is available.
- Various Frame/Border styles are available to integrate with most ceiling systems.
- Standard finish is AW Appliance White baked enamel on exposed frame surfaces. Pattern controllers and interior surfaces are black.

A

FLOWLINE™ LINEAR DIFFUSERS

FT Series • 9/16" (14) or 15/16" (24) Flat T-Bar

(Type H Horizontal pattern controllers illustrated. Also available with Type V Vertical).



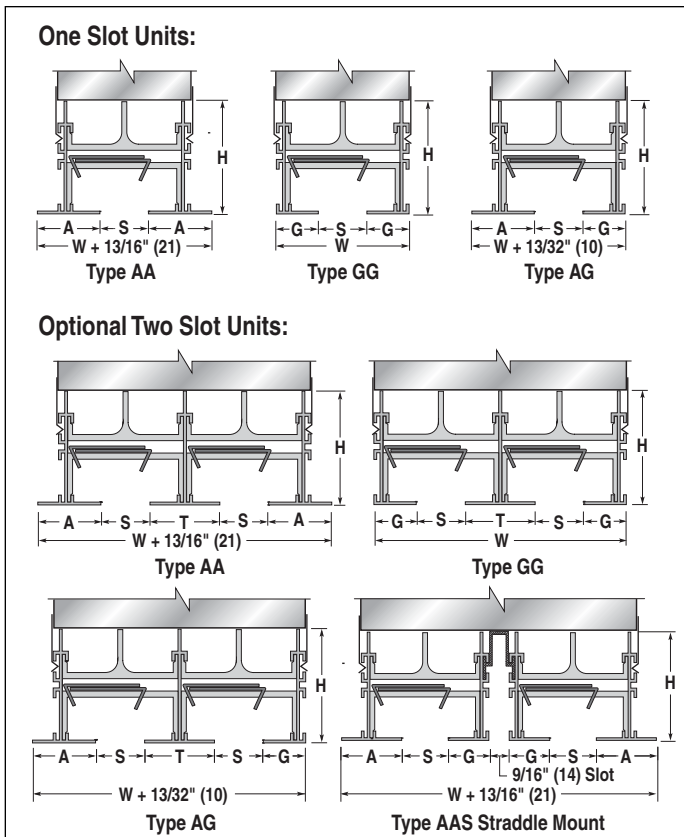
Dimensional Data (Imperial Grids)

Nominal Length	Unit Length	Plenum Length	Available Inlet Sizes	
			1 Slot	2 Slot
24 (610)	23 3/4 (603)	20 3/4 (527)	6 (152), 8 (203) Round	6 (152), 8 (203),
48 (1219)	47 3/4 (1213)	44 3/4 (1137)	10 (254), 12 (305),	10 (254), 12 (305),
60 (1524)	59 3/4 (1518)	56 3/4 (1441)	14 (356) Flat Oval*	14 (356) Round

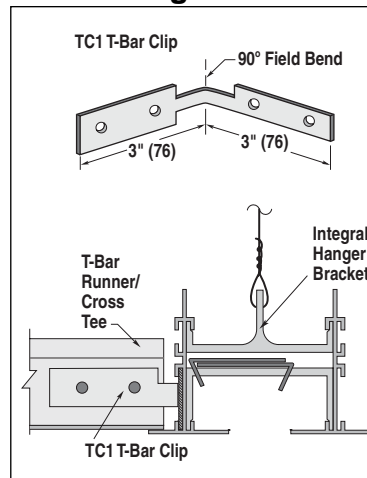
FT Series Model	1 Slot		2 Slot		
	W	OH	W	WS	OH
FT(HorV)(I)10	2 3/4 (70)	12 5/8 (314)	5 1/4 (133)	5 9/16 (141)	18 5/8 (467)
FT(HorV)(I)15	3 3/4 (95)	12 5/8 (321)	7 1/4 (184)	7 9/16 (192)	18 5/8 (473)
FT(HorV)(I)20	4 3/4 (121)	12 7/8 (327)	9 1/4 (235)	9 9/16 (243)	18 7/8 (479)

* Equivalent Oval: 10" (254) = 11" x 7 7/8" (279 x 200); 12" (305) = 14 1/8" x 7 7/8" (378 x 200); 14" (356) = 17 5/16" x 7 7/8" (440 x 200).

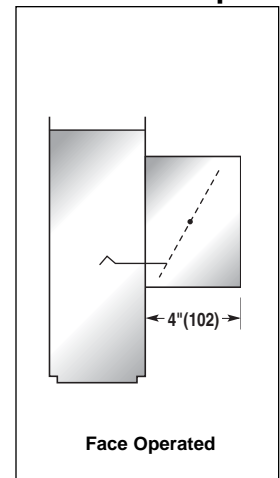
Available FT Series Border Types



Optional Mounting Hardware



Optional ID Inlet Damper

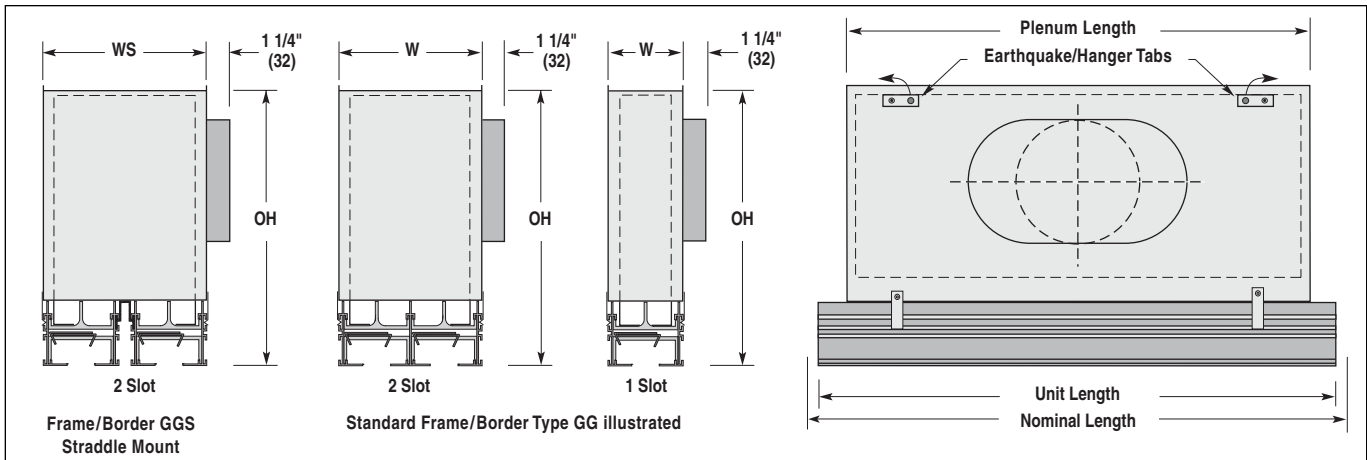


Dimensional Data - Imperial (Metric) Units

FT Series Model	S Slot Width	A Border Width	G Border Width	H Height	T 2 Slot
FT(HorV)(I)10	1 (25)	1 9/32 (33)	7/8 (22)	2 3/8 (60)	1 7/16 (37)
FT(HorV)(I)15	1 1/2 (38)	1 17/32 (39)	1 1/8 (29)	2 5/8 (67)	1 15/16 (49)
FT(HorV)(I)20	2 (51)	1 25/32 (45)	1 3/8 (35)	2 7/8 (73)	2 7/16 (62)

FTB Series • Bolt-Slot (Fineline® Type) T-Bar

(Type H Horizontal pattern controllers illustrated. Also available with Type V Vertical).



A

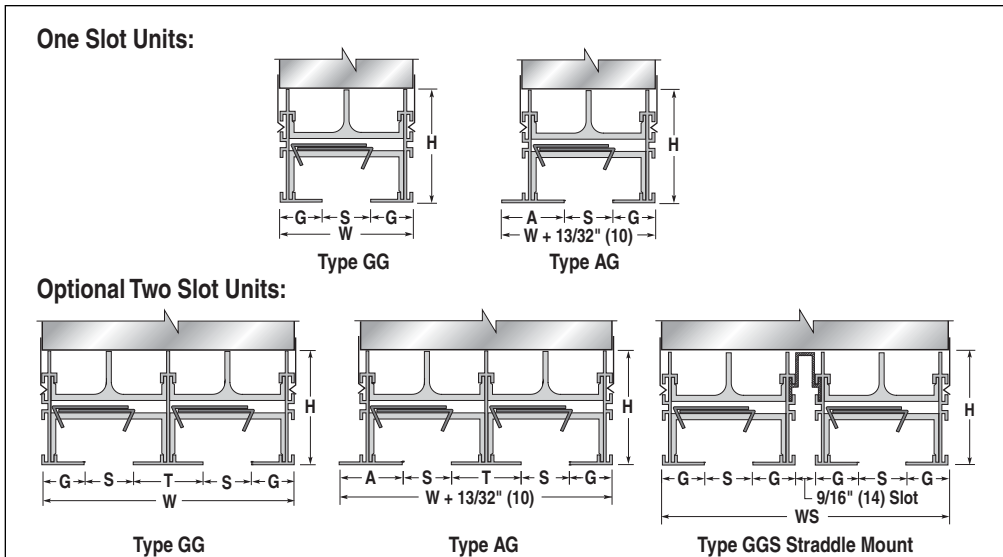
FLOWLINE™ LINEAR DIFFUSERS

Dimensional Data (Imperial Grids)

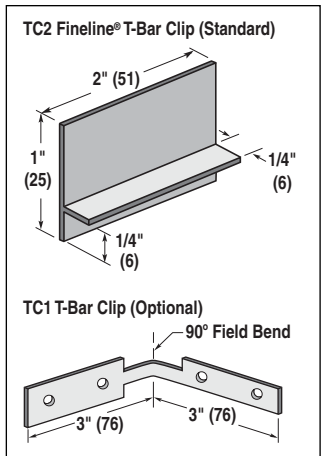
Nominal Length	Unit Length	Plenum Length	Available Inlet Sizes		FTB Series Model	1 Slot		2 Slot		
			1 Slot	2 Slot		W	OH	W	WS	OH
24 (610)	23 3/8 (594)	20 3/8 (518)	6 (152), 8 (203) Round	6 (152), 8 (203)	FTB(HorV)(I)10	2 3/4 (70)	12 3/8 (314)	5 1/4 (133)	5 13/16 (148)	18 3/8 (467)
48 (1219)	47 3/8 (1202)	44 3/8 (1127)	10 (254), 12 (305),	10 (254), 12 (305),	FTB(HorV)(I)15	3 3/4 (95)	12 5/8 (321)	7 1/4 (184)	7 13/16 (198)	18 5/8 (473)
			14 (356) Flat Oval*	14 (356) Round	FTB(HorV)(I)20	4 3/4 (121)	12 7/8 (327)	9 1/4 (235)	9 13/16 (249)	18 7/8 (479)

* Equivalent Oval: 10" (254) = 11" x 7 7/8" (279 x 200); 12" (305) = 14 1/8" x 7 7/8" (378 x 200); 14" (356) = 17 5/16" x 7 7/8" (440 x 200).

Available FTB Series Border Types



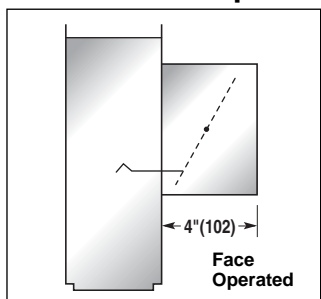
Mounting Hardware



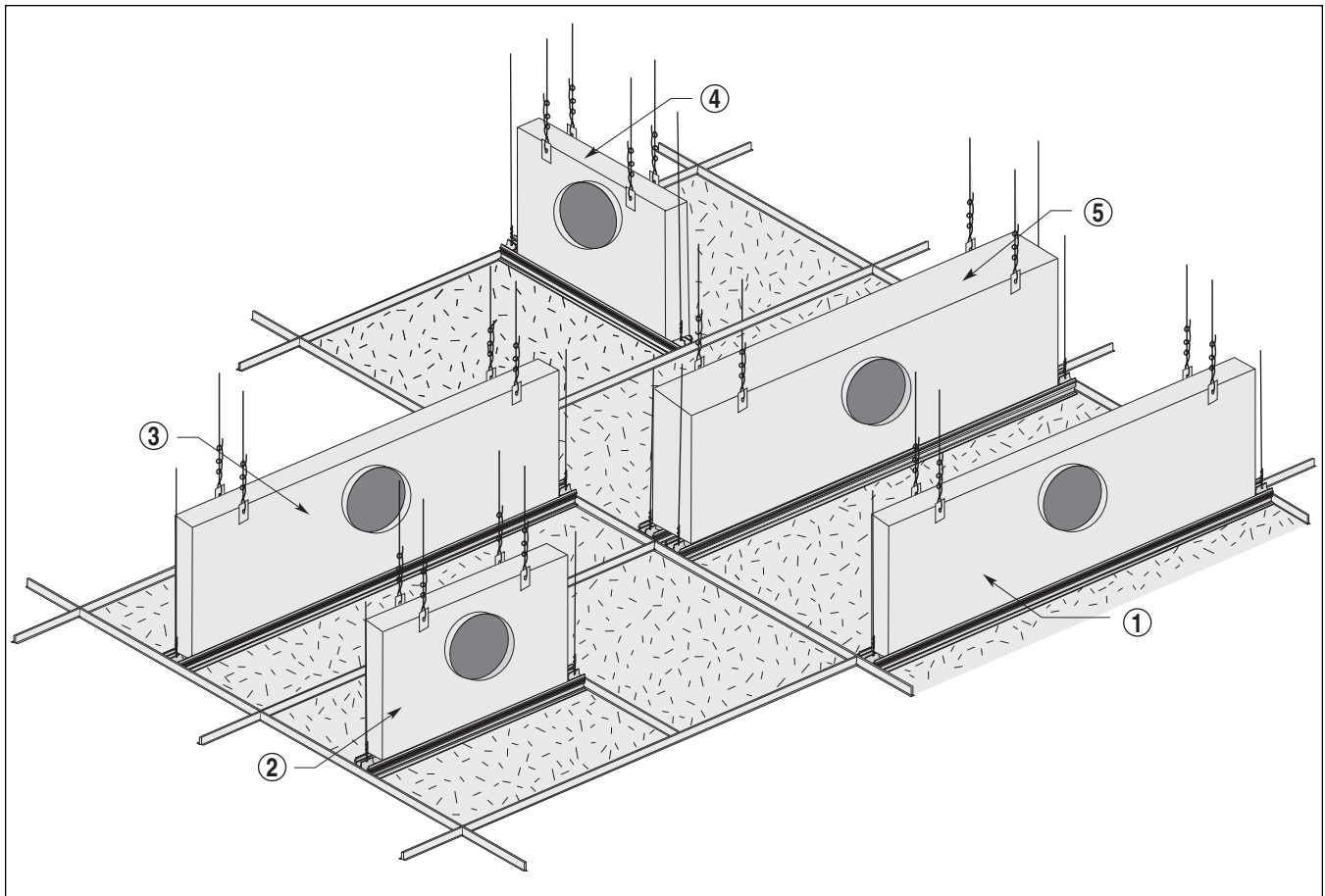
Dimensional Data - Imperial (Metric) Units

FTB Series Model	S Slot Width	A Border Width	G Border Width	H Height	T 2 Slot
FTB(HorV)(I)10	1 (25)	1 9/32 (33)	7/8 (22)	2 3/8 (60)	1 1/16 (37)
FTB(HorV)(I)15	1 1/2 (38)	1 17/32 (39)	1 1/8 (29)	2 5/8 (67)	1 15/16 (49)
FTB(HorV)(I)20	2 (51)	1 25/32 (45)	1 3/8 (35)	2 7/8 (73)	2 1/16 (62)

Optional ID Inlet Damper



Typical FT Series Application • T-Bar Ceiling Suspension Systems



A

FLOWLINE™ LINEAR DIFFUSERS

DESCRIPTION:

1. Nominal 4 ft. (1219) unit installed alongside a main runner.
2. 2 ft. (610) unit installed parallel to and mid-way between main runners.
3. Nominal 4 ft. (1219) unit installed mid-way between main runners.
4. 2 ft. (610) unit installed perpendicular to main runners.
5. Nominal 4 ft. (1219) two slot unit straddling a main runner.

Notes:

Frame/Border style should be carefully selected to ensure compatibility with specific ceiling grid suspension system and desired visual appearance. Type A Flange Border can lie on flat T-Bar or support cut ceiling tile. Type G Flangeless Border requires a supplementary cross tee for support in 15/16" (24) or 9/16" (14) flat T-Bar applications. In Bolt Slot (Fineline®

Type) applications, utilizing Type G Flangeless Border, optional TC2 Fineline® T-Bar Clips are recommended to support and level the unit. Bolt slot ceiling system grids are usually 2 ft. x 2 ft. (610 x 610) modules. Cross notches on 4 ft. (1219) units are not available. Modification of ceiling grid and field cutting of ceiling tiles will be required.

Reflected Ceiling Plan 2 ft. (610) x 4 ft. (1219) T-Bar Grid

