

## FLP Series

- SUPPLY AIR ENGINEERED PLENUMS FOR FLOWLINE™ LINEAR DIFFUSERS



### Models:

- FLP(I)10 1" (25) Slot
- FLP(I)15 1½" (38) Slot
- FLP(I)20 2" (51) Slot
- FLP(I)25 2½" (64) Slot
- FLP(I)30 3" (76) Slot

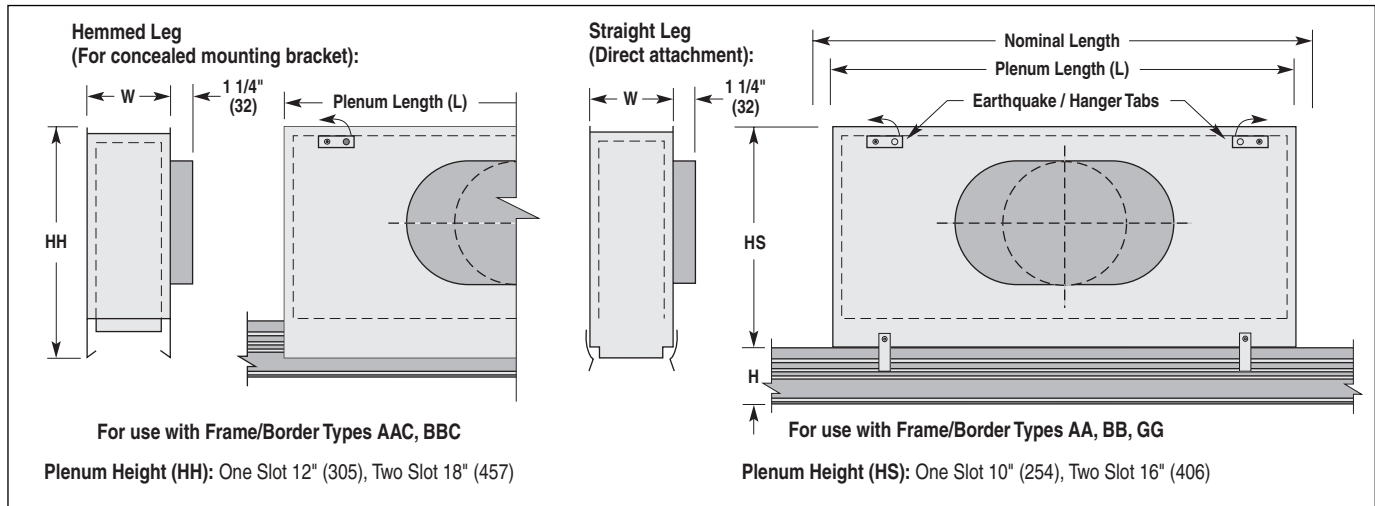
### (I) Adds Internal Insulation.

The Nailor FLP Series engineered plenum boots are designed specifically for the FLH and FLV Series FlowLine™ Linear diffuser. These plenums are factory fabricated and tested to provide the engineer with proven catalog performance and the installing contractor with a labor saving, cost effective unit that provides for a fast correct fit and easy field installation. FLP Series plenums are shipped loose from the factory. Uninsulated and insulated versions are available.

FLP Series plenums are available in two basic styles to suit the installation method. A straight leg version with spring clips is provided for direct attachment to the FlowLine™ diffuser neck. The diffuser and plenum are installed and attached directly to the ceiling structure prior to installation of the drywall or acoustic suspension ceiling and tiles. Plenums are provided as standard with hanger tabs. A hemmed leg version is available when it is desired to install the FlowLine™ diffuser after the hard gypsum board/drywall ceiling. The diffuser requires a frame/border style which includes a factory supplied concealed mounting bracket. The diffuser simply slides up through the ceiling opening until the mounting straps locate in the hem and is then secured through the slot face using the fastening screws provided.

A

FLOWLINE™ LINEAR DIFFUSERS



### Dimensional Data

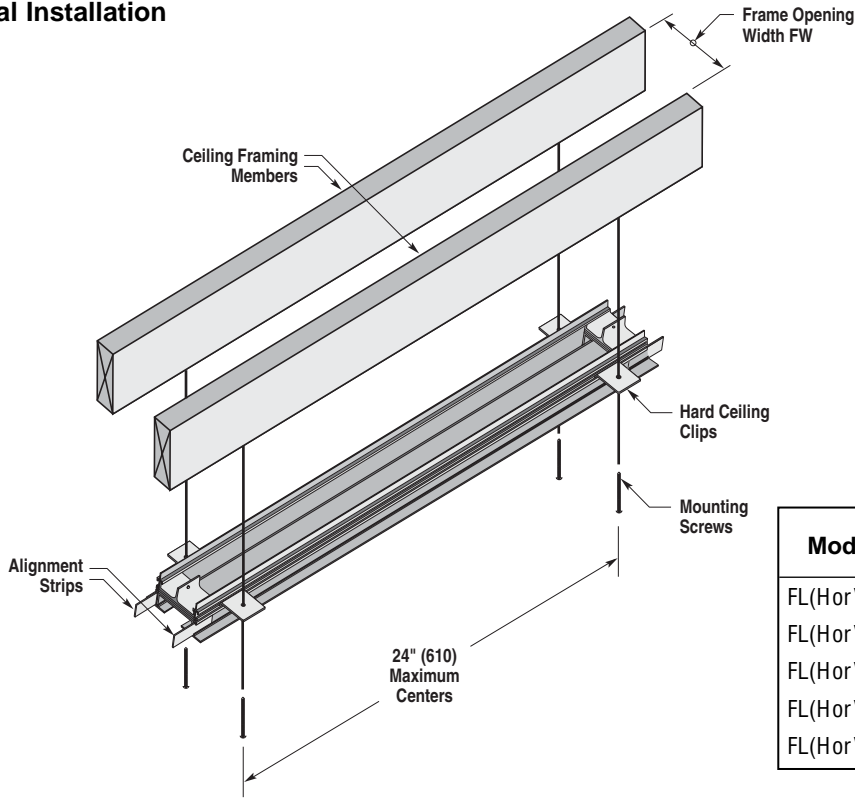
Nominal Length	Actual Plenum Length (L) For Frame / Border Type		Available Inlet Sizes	
	AA, BB, GG	AAC, BBC	1 Slot	2 Slot
24 (610)	20¾ (527)	24 (610)	6 (152), 8 (203) Round 10 (254), 12 (305), 14 (356) Flat Oval*	6 (152), 8 (203), 10 (254), 12 (305), 14 (356) Round
30 (762)	26¾ (679)	30 (762)		
36 (914)	32¾ (832)	36 (914)		
48 (1219)	44¾ (1137)	48 (1219)		
60 (1524)	56¾ (1441)	60 (1524)		

Plenum Model	Width (W) for Frame / Border Type Noted			
	AA, BB, GG		AAC, BBC	
	1 Slot	2 Slot	1 Slot	2 Slot
FLP(I)10	2¾ (70)	5¼ (133)	3½ (89)	6 (152)
FLP(I)15	3¾ (95)	7¼ (184)	4½ (114)	8 (203)
FLP(I)20	4¾ (121)	9¼ (235)	5½ (140)	10 (254)
FLP(I)25	5¾ (146)	11¼ (286)	6½ (165)	12 (305)
FLP(I)30	6¾ (171)	13¼ (337)	7½ (191)	14 (356)

\* Equivalent Oval: 10" (254) = 11" x 7 7/8" (279 x 200); 12" (305) = 14 1/8" x 7 7/8" (378 x 200); 14" (356) = 17 5/16" x 7 7/8" (440 x 200).

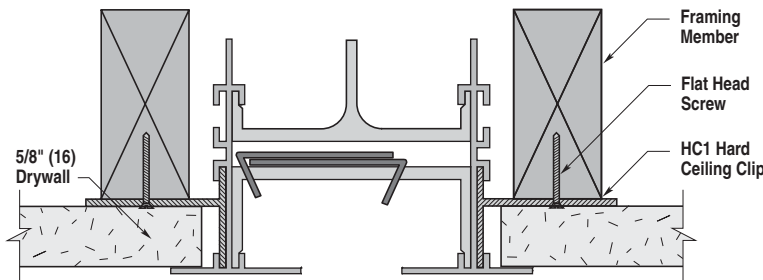
## Hard Ceiling Application and Installation Methods

### Typical Installation

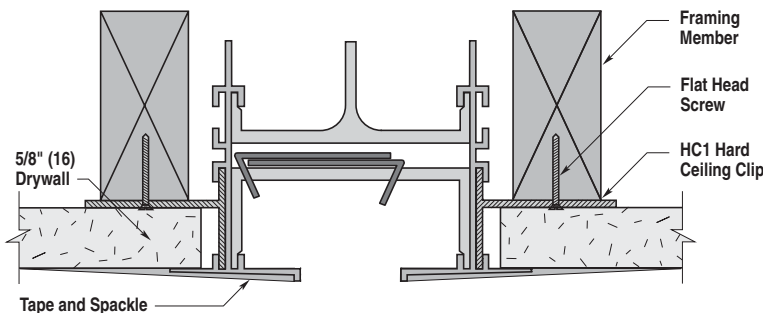


Model	Frame Opening Width FW	
	1 slot	2 slot
FL(HorV)10	3 ¼ (83)	5 ¾ (146)
FL(HorV)15	4 ¼ (108)	7 ¾ (197)
FL(HorV)20	5 ¼ (133)	9 ¾ (248)
FL(HorV)25	6 ¼ (159)	11 ¾ (298)
FL(HorV)30	7 ¼ (184)	13 ¾ (349)

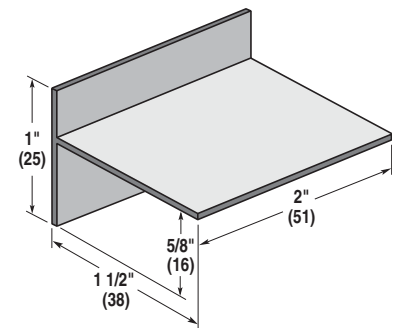
### Exposed Flange Frame Type AA



### Concealed Frame Type BB



### HC1 Hard Ceiling Clip



The HC1 Hard Ceiling Clip can be used to mount the FlowLine™ assembly with Frame/Border Types AA or BB, where standard 5/8" (16) gypsum wallboard (drywall) is used.

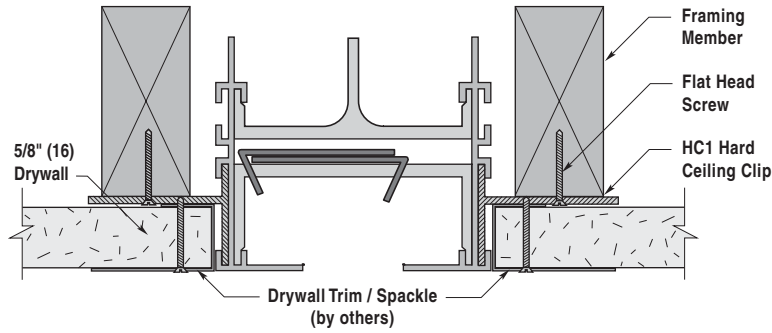
**A**

FLOWLINE™ LINEAR DIFFUSERS

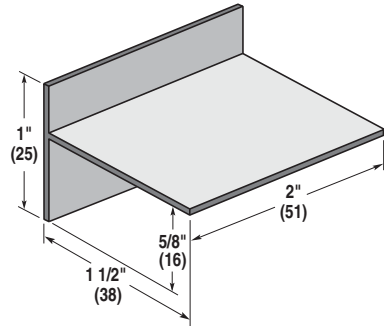
## Hard Ceiling Application and Installation Methods

**A**  
FLOWLINE™ LINEAR DIFFUSERS

### Flangeless Flush Frame Type GG

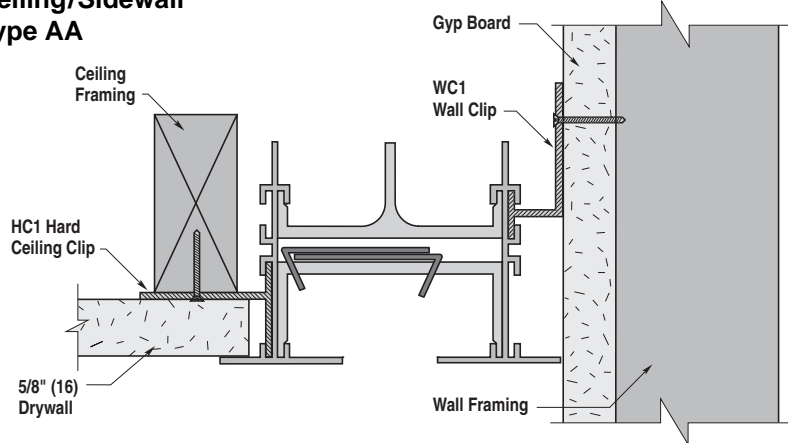


### HC1 Hard Ceiling Clip

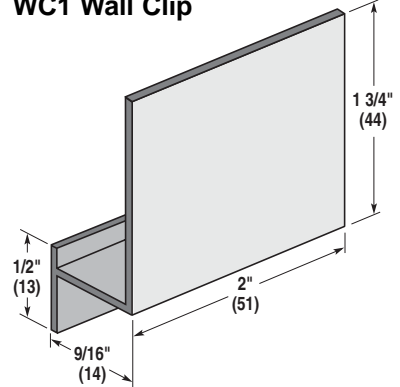


The HC1 Hard Ceiling Clip can be used to mount the FlowLine™ assembly with Frame/Border Type GG, where standard 5/8" (16) gypsum wallboard (drywall) is used.

### Ceiling/Sidewall Type AA



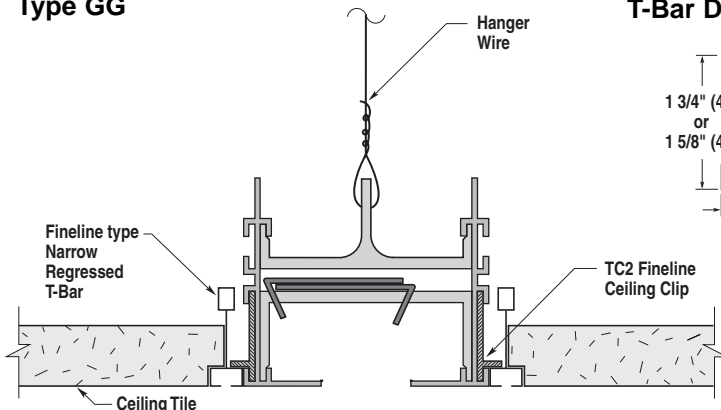
### WC1 Wall Clip



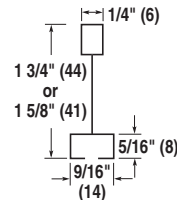
The WC1 Wall Clip is used to mount the FlowLine™ assembly with Frame/Border Type AA flush to a wall.

## Narrow Regressed T-Bar Ceiling Suspension System (Commonly referred to as Bolt-Slot or Fineline® T-Bar)

### Flangeless Frame Type GG

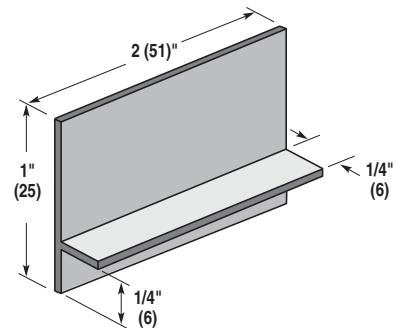


### Typical Regressed T-Bar Detail



USG 'Donn Fineline'®, Chicago Metallic® 'Ultraline' and Armstrong 'Silhouette' are three common examples of compatibility.

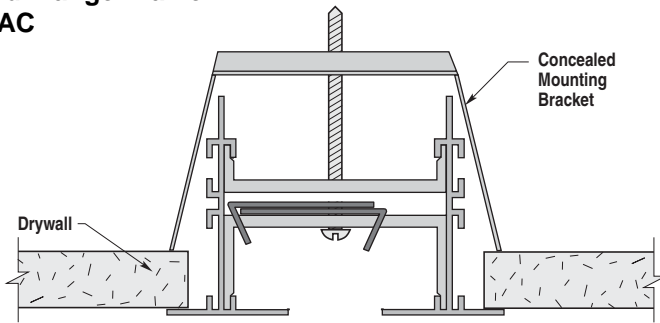
### TC2 Fineline® T-Bar Clip



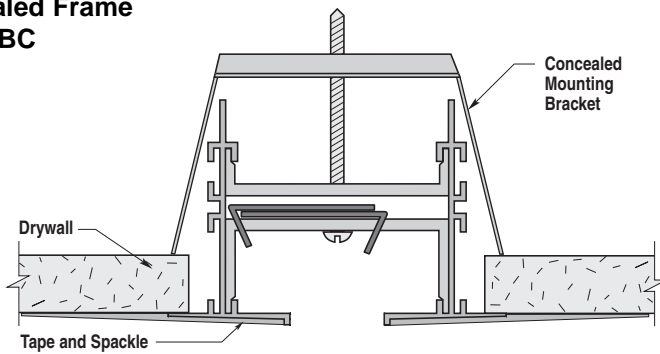
The TC2 Fineline® T-Bar Clips are used to support and level the FlowLine™ assembly in Bolt-Slot (Fineline® Type) suspension systems.

## Hard Ceiling Application and Installation Methods

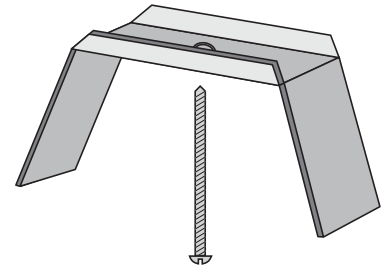
**Exposed Flange Frame  
Type AAC**



**Concealed Frame  
Type BBC**



**FLCMB Concealed Mounting Bracket**



Supplied as standard with Frame/  
Border Types AAC and BBC.



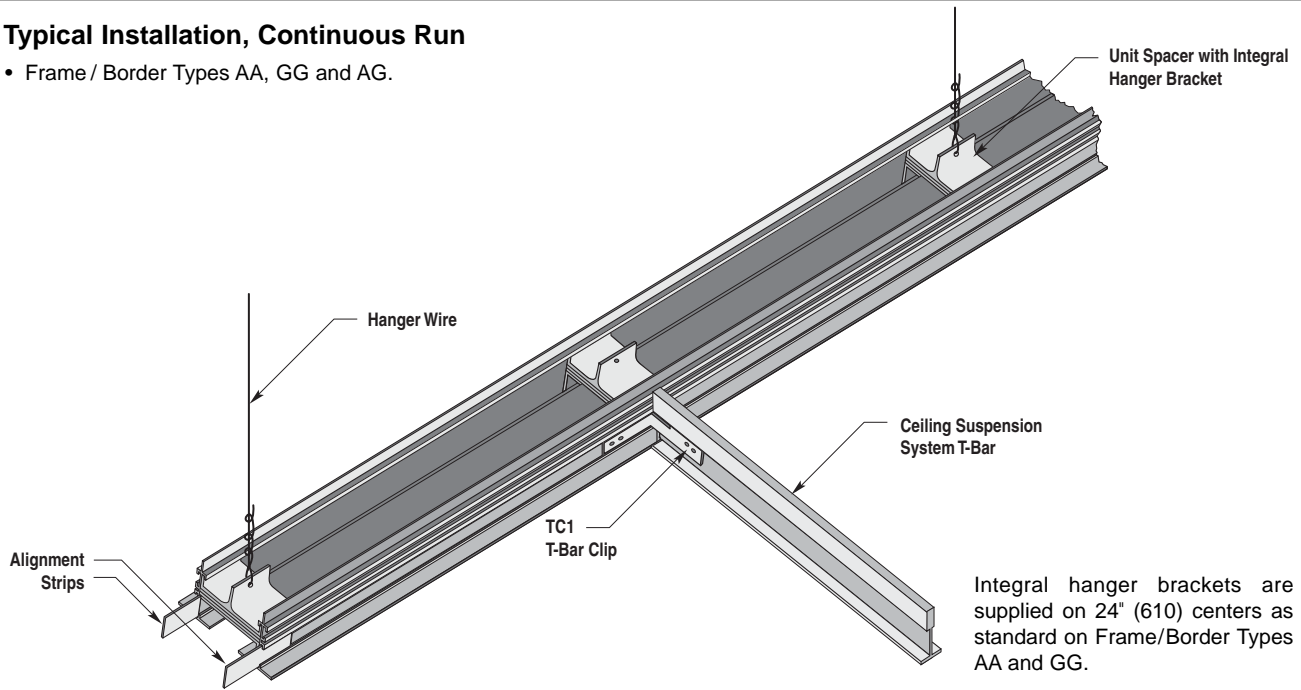
**A**

**FLOWLINE™ LINEAR DIFFUSERS**

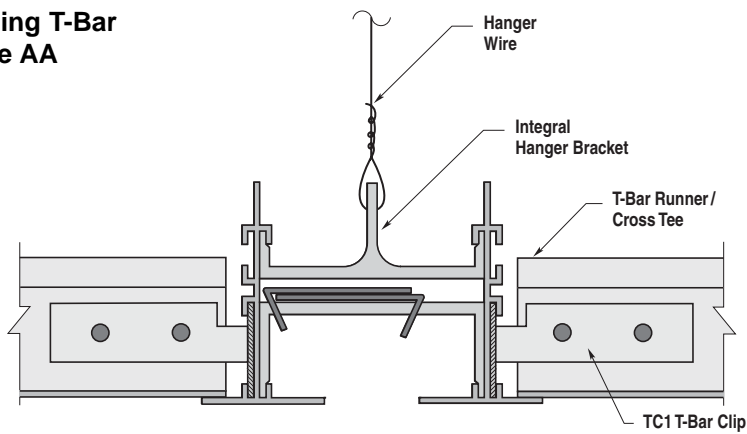
## T-Bar Ceiling Suspension System Application and Installation Methods

### Typical Installation, Continuous Run

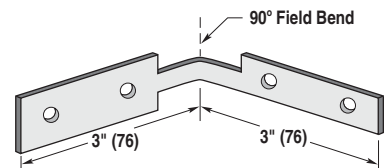
- Frame / Border Types AA, GG and AG.



### Ceiling T-Bar Type AA

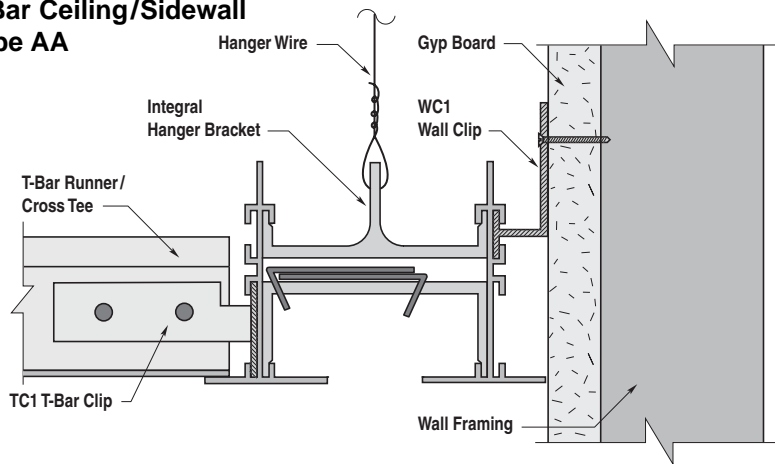


### TC1 T-Bar Clip (field formed)



The TC1 T-Bar Clip is used to attach drop tees to the FlowLine™ assembly.

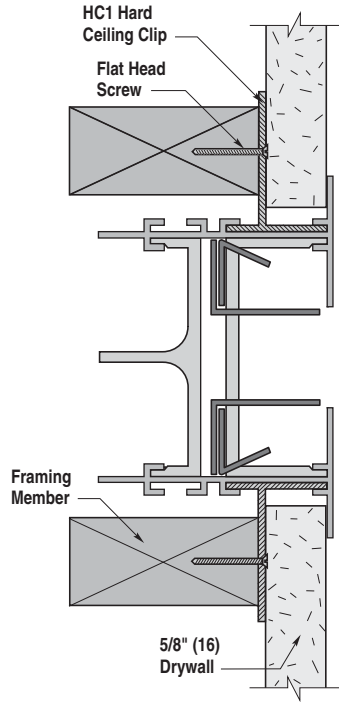
### T-Bar Ceiling/Sidewall Type AA



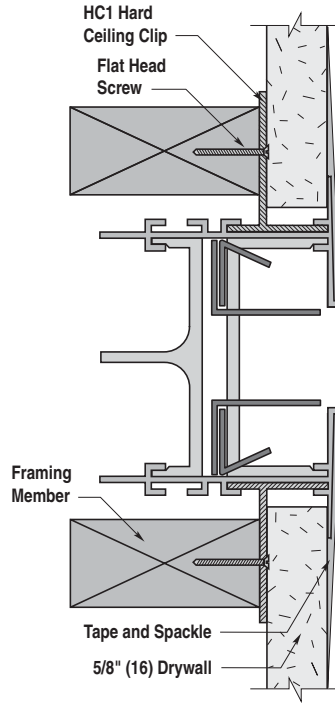
A  
FLOWLINE™ LINEAR DIFFUSERS

**Sidewall Application and Installation Methods**

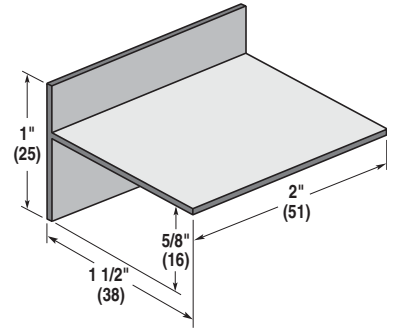
**Exposed Flange Frame  
Type AA**



**Concealed Frame  
Type BB**



**HC1 Hard Ceiling Clip**



The HC1 Hard Ceiling Clip can be used to mount the FlowLine™ assembly with Frame/Border Types AA or BB, where standard 5/8" (16) gypsum wallboard (drywall) is used.



**A**

**FLOWLINE™ LINEAR DIFFUSERS**