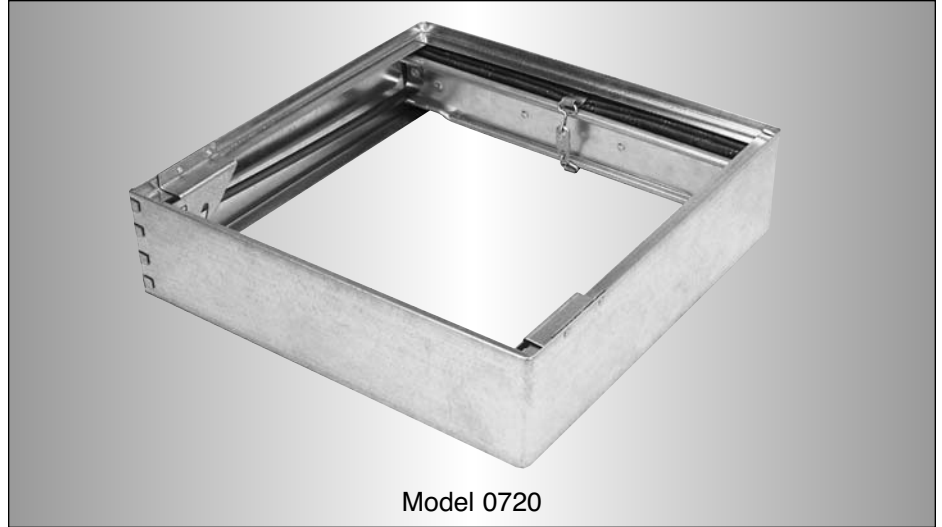


- UL 555C CLASSIFIED
- CURTAIN TYPE CEILING RADIATION DAMPER
- LOW PROFILE
- FOR SQUARE OR RECTANGULAR DUCT

MODEL: 0720



Model 0720

**H**

**CEILING DAMPERS**

The Nailor Model 0720 ceiling radiation damper, which functions as a fire and heat barrier in air duct openings that penetrate fire resistive membrane ceilings, is for use in lieu of hinged door type dampers in any UL floor/ceiling assembly with up to a 3 hour fire resistance rating where air ducts are permitted. Model 0720 features a specially designed 'pull across' insulated curtain that provides a low overall profile, making it ideal for use in applications where the available duct drop height for installation is limited. The compact curtain design also maximizes free area in the open position.

**QUALIFICATIONS:**

- UL 555C Classified Ceiling Damper (File #9660).
- California State Fire Marshal: Ceiling Damper Listing No. 3226-0935:102.
- City of New York MEA No. 366-03-M.
- Meets NFPA 90A, BOCA, SBCCI, IBC and UBC requirements.
- CAN4-S112.2 Ceiling Fire Stop Flap Assemblies.
- Meets NBC of Canada requirements.

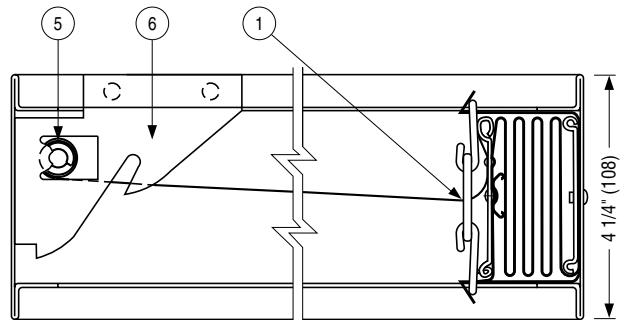
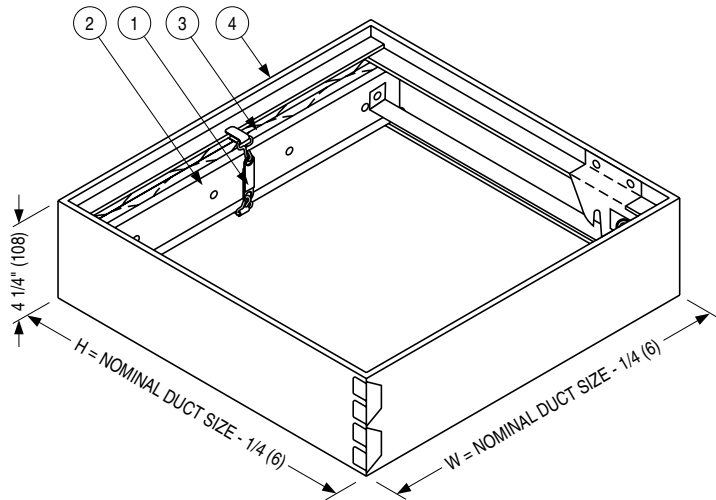
UL MAXIMUM SIZE: 18" x 18" (457 x 457)  
 UL MINIMUM SIZE: 6" W x 4" H (152 x 102)

**CONSTRUCTION:**

1. UL listed fusible link, 212°F (100°C) standard.
2. Blades: 22 ga. (.034) G60 coating galvanized steel.
3. Curtain Insulation: Non-asbestos UL Classified.
4. Frame: Roll-formed 22 ga. (.034) G60 coating galvanized steel.
5. Stainless steel negator closure spring.
6. Curtain blade locking ramp.

**OPTIONS:**

1. 165°F (74°C) U.L. Listed fusible link.



## HOW TO SPECIFY OR TO ORDER

**MODEL: 0720**

**SUGGESTED SPECIFICATION:**

Provide and install, as shown on plans and/or schedules, low profile ceiling fire dampers as manufactured by Nailor Industries meeting the following criteria: Low profile ceiling fire dampers shall be UL Classified for use in all restrained and unrestrained UL Listed ceiling assemblies with fire resistance ratings of 3 hours or less. Dampers shall be manufactured and tested in accordance with UL 555C Standard for Ceiling Dampers and shall bear a UL label identifying same. Curtain shall be manufactured from non-asbestos UL Classified insulation with protective covering to prevent erosion. Each ceiling damper shall be held open with a 212°F (100°C) UL Listed fusible link (or specifier to select 165°F (74°C)) and shall be of sizes indicated. Ceiling dampers shall ship with and be installed in accordance with manufacturers UL installation instructions. Information submitted for approval shall include same UL installation instructions. Standard of acceptance: Nailor Industries Model 0720.

**HOW TO ORDER:**

Order by model number and size, then list optional fusible link (if desired).

	<b>OPTION CODE</b>	<b>DESCRIPTION</b>
<b>FUSIBLE LINK:</b>	165	165°F (74°C) UL Listed Fusible Link